

Mira Mode Maxim Dual Shower

Digital Mixer

An Immersive showering experience like no other.



SUITABLE FOR ALL SYSTEMS



5 YEAR WARRANTY

Product Information

Description	Colour	Product No.
Mira Mode Maxim Dual Shower, Rear Fed (High Pressure)	Chrome	1.1980.013
Mira Mode Maxim Dual Shower, Rear Fed (Pumped for Gravity)	Chrome	1.1980.014
Mira Mode Maxim Dual Shower, Ceiling Fed (High Pressure)	Chrome	1.1980.015
Mira Mode Maxim Dual Shower, Ceiling Fed (Pumped for Gravity)	Chrome	1.1980.016

Features & Benefits

Temperature control

An Immersive showering experience from the luxurious 30cm deluge showerhead, featuring Mira's unique CloudCore™ technology, delivering a saturating mist spray.

Thermostatic temperature stability with digital intelligence

Indicator light signals when shower has reached desired temperature

Maximum temperature setting for increased safety

Easy to fit & maintain

Replaceable checkvalve and filters

Supplied with push fit isolators

For your customer

Rotary temperature control dial

Personalise showering settings using the Mira Mode app

30cm deluge head and Mira Switch showerhead



To download other resources, and for more information and advice on our products just visit:
www.mirashowers.co.uk

Product Specification

Tech Details

Installation Units & Fittings

Water entry points - Back, Rear Fed; Top, Ceiling Fed

Inlet connections: 15mm push fit isolators (supplied) or 15mm compression

Data connection between digital mixer and controller: Low voltage data cable

Digital Mixer

Inlet connections: 15mm push fit isolators (supplied) or 15mm compression

Outlet connection: 15mm push fit isolators (supplied) or 15mm compression

Data connection between digital mixer and controller: Low voltage data cable

Supply voltage: 230v +10%

Supply rating: 3 amp fused plug

Supply Conditions (hot and cold)

Minimum maintained pressure: Pumped: 0.01 bar (10 cm head); High Pressure: 1.0 bar (10 metre head)

Maximum maintained pressure: Pumped: 1.0 bar (10 metre head); High Pressure: 5.0 bar (50 metre head)

Maximum static pressure: Pumped: 1.0 bar (10 metre head); High Pressure: 10.0 bar (100 metre head)

Performance

Flow rate:

Default flow rate setting: 12 L/min (adjustable using the Mira app)

Minimum adjustable flow rate: 4 L/min (HP Product) or 6 L/min (Pumped Product)

The Digital Valve can deliver a maximum flow of 16 L/min at 1 bar (HP Product) or 12 L/min at 0.1 bar (Pumped Product).

The actual maximum flow will depend on the installation, system conditions and type of fittings. Refer to the 'Installation and User Guide' for more details.

Safety Features

Factory set to safe max temp: Factory set at 45°C

Approvals

WRAS approved (Water Regulations Advisory Scheme)

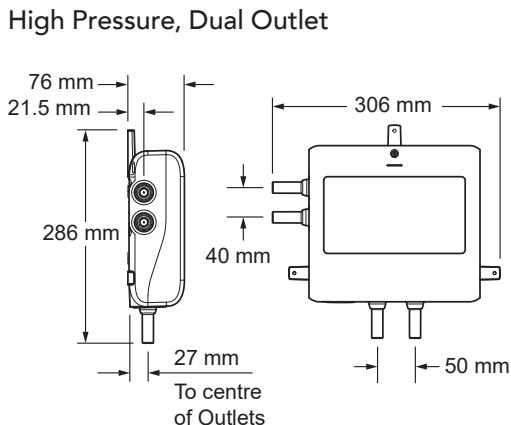
TMV2 approved

BEAB approved

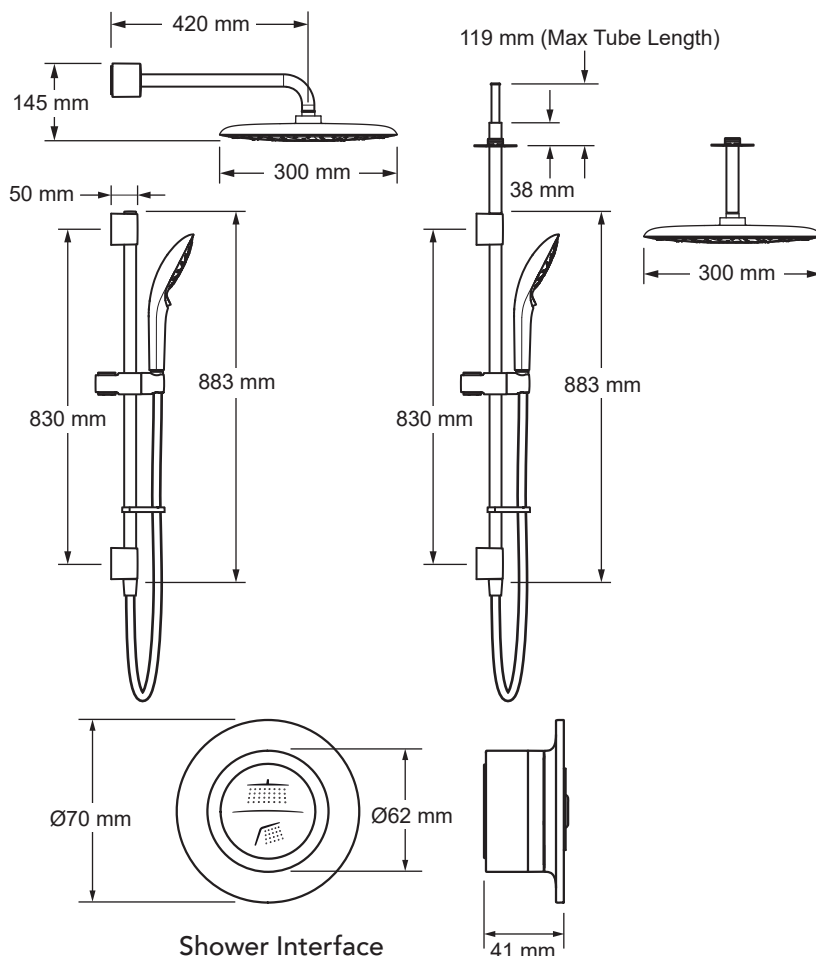
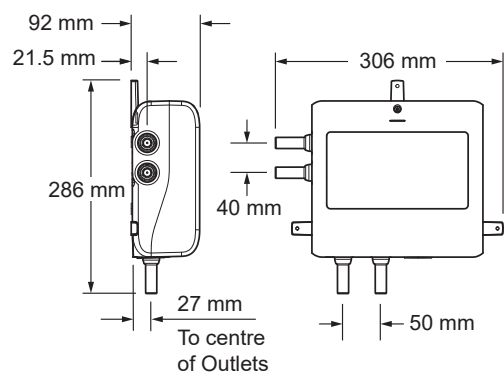


Dimensions

High Pressure, Dual Outlet



Pumped, Dual Outlet



To download other resources, and for more information and advice on our products just visit: www.mirashowers.co.uk

